

SPECIFICATIONS (Tentative Edition)
FOR
FIBER HOLDER HANGER
VS-20FH2

1. General

These specifications cover VS-20FH2 fiber holder hanger for ultrasonic cleaner VS-20, used for fixing the fiber holder of FSM-40F/40PM optical fiber fusion splicer to VS-20 ultrasonic cleaner.

VS-20FH2 can place and/or adjust the fiber holder with installed optical fiber to the suitable height against the cleaning liquid in the VS-20 ultrasonic cleaner. This is for the easier and stable operation of optical fiber cleaning with ultrasonic cleaner.

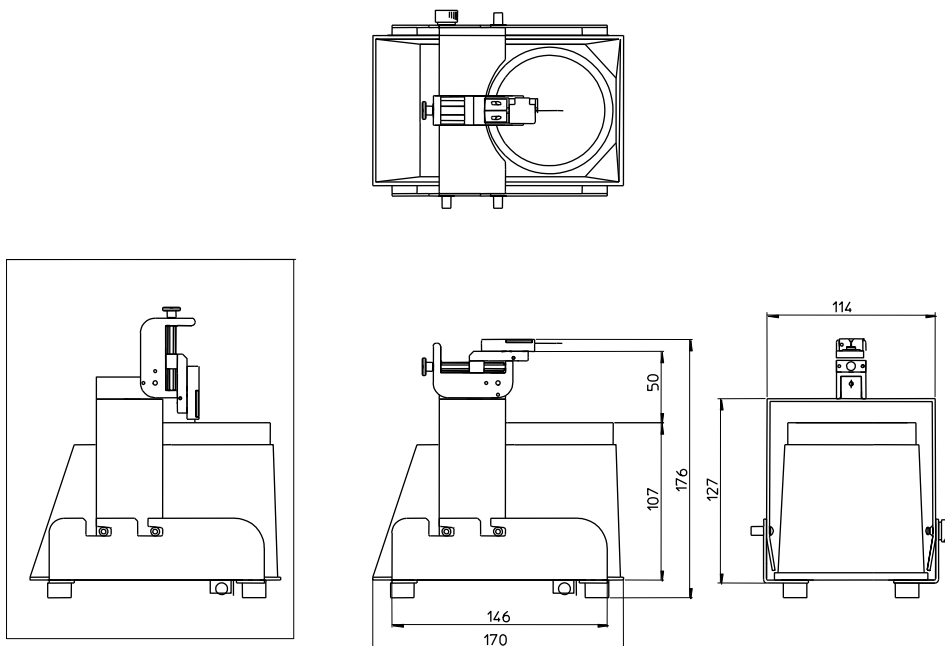
2. Components

NO.	ITEM	MODEL	Q'TY
1	Fiber holder attachment	VS-20FH2	1 pc
2	Fixing screw	-	4 pcs
3	Instruction manual	-	1 pc

3. Specifications

- 3.1 Applicable ultrasonic cleaner : VS-20
- 3.2 Applicable fiber holder : All fiber holders used for FSM-40F/40PM.
- 3.3 Number of fiber holders to be fixed : One piece at a time
- 3.4 Holder height adjusting dial : Equipped
- 3.5 Dimensions : D180mm x W130mm x H180mm
- 3.6 Weight : 700g

4. Appearance



++ END OF SPECIFICATIONS ++