

High Precision Fiber Cleaver CT-32



CT-32

- The CT-32 is designed for cleaving silica fiber with 125mm cladding diameter, specially for its short length cleaving capability. Minimum 3mm cleave is possible by up to 400mm fiber coating, while the coating to be clamped.
- The CT-32 accepts the fiber setting with FH-40 and FH-100 series Fiber Holder System.

SPECIFICATION

Applicable fiber	Silica optical fiber
Fiber count	Single
Cladding diameter	125 μ m
Coating diameter	250 μ m to 900 μ m
Fiber setting	by FH-40 and FH-100 series Fiber Holder
Cleave angle	Typical 0.5 degrees
Blade life	48,000 cleaves 1,000 x 3 height x 16 positions
Dimensions	105W x 82D x 46H (mm)

STANDARD PACKAGE

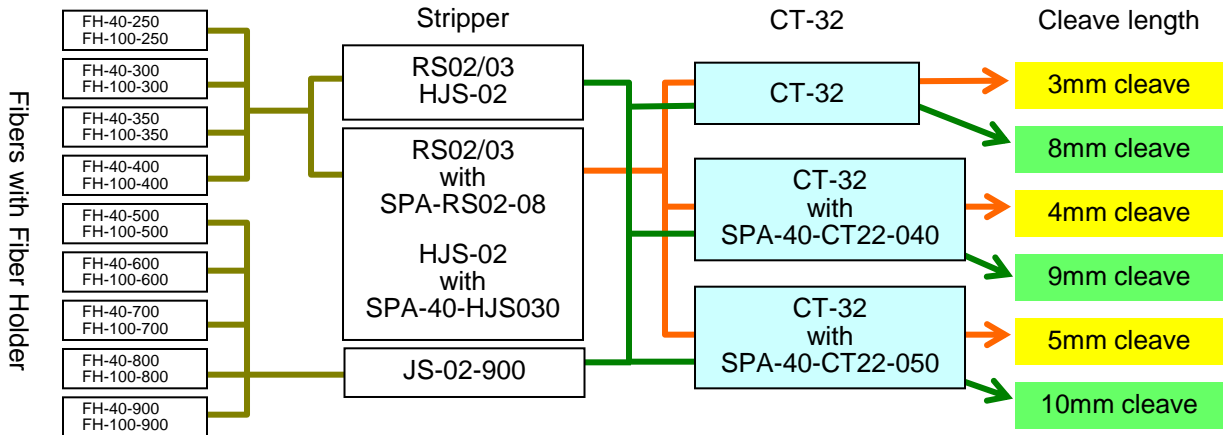
Description	Model	Q'ty
Main body	CT-32	1pc.
Fiber scrap collector	FC-02	1pc.
Fiber dust container	FDB-02	1pc.
High capacity container	FDB-03	1pc.
Carrying case	CC-21	1pc.
Cleaver spacer	SPA-40-CT22-040	1pc.
Hexagonal wrench	HEX-01	1pc.
Side cover	SC-01	1pc.
Instruction manual	-	1pc.

OPTIONAL ITEMS

Description	Model
Cleaver spacer	SPA-40-CT22-040
Cleaver spacer	SPA-40-CT22-050

High Precision Fiber Cleaver CT-32

APPLICATION



Note) Short cleave length (3, 4, and 5mm) are available for coating diameter of 400µm or smaller.

Specifications and descriptions are subject to change without prior notice. © 2012 Fujikura Ltd.

Fujikura Ltd.

1-5-1, Kiba, Koto-ku, Tokyo 135-8512, Japan

Phone : +81-3-5606-1164 Fax : +81-3-5606-1534 <http://www.fujikura.co.jp>

Fujikura Asia Ltd.

438A Alexandra Road, Block A Alexandra Technopark #08-03 Singapore 119967

Phone : +65-6-278-8955 Fax : +65-6-278-0965 <http://www.fujikura.com.sg>

Fujikura Europe Ltd.

C51 Barwell Business Park, Leatherhead Road, Chessington, Surrey KT9 2NY, UK

Phone : +44-20-8240-2000 Fax : +44-20-8240-2010 <http://www.fujikura.co.uk>

AFL

260, Parkway East, Duncan, SC29334, USA

Phone : +1-800-235-3423 Fax : +1-800-926-0007 <http://www.aflglobal.com>

Fujikura (China) Co., Ltd.

7th Floor, Shanghai Hang Seng Bank Tower, 1000 Lujiazui Ring Road, Pudong New Area, Shanghai 200120, CHINA

Phone : +86-21-6841-3636 Fax : +86-21-6841-2070 <http://www.fujikura.com.cn>