

## Jacket Stripper JS-02-900



**JS-02-900**

The JS-02-900 is designed for stripping single count of silica optical fiber. The JS-02-900 accepts the FH-40 series and FH-100 series Fiber Holder System.



**JS-02-900 with  
900µm fiber  
By FH-100-900**

### STANDARD PACKAGE

Description	Model	Q'ty
Main body	JS-02-900	1pc.
Hexagonal wrench	BL-02	1pc.
Carrying case	CC-10	1pc.
Instruction manual	-	1pc.

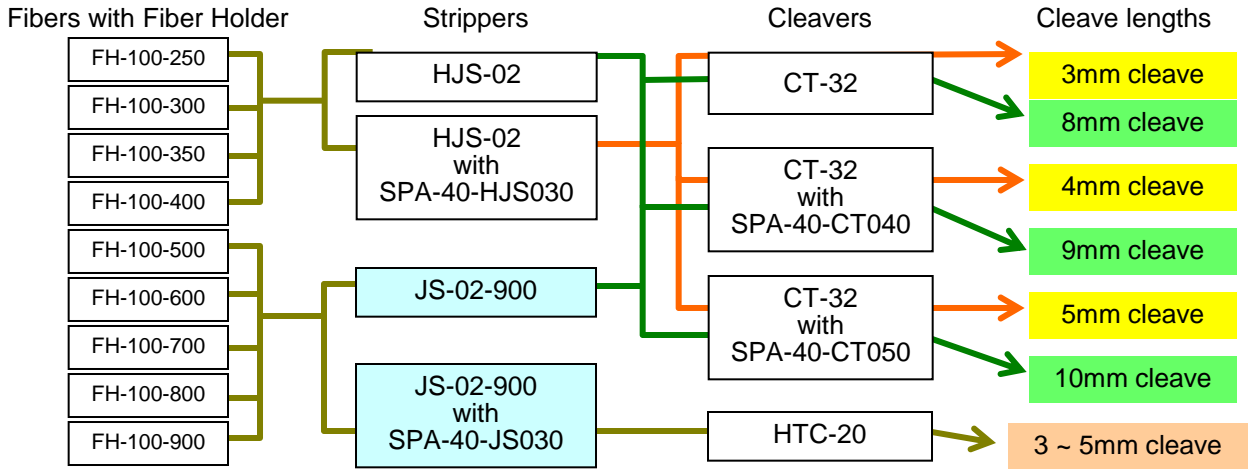
### OPTIONAL ITEMS

Description	Model
Stripper spacer	SPA-40-JS030

### SPECIFICATION

Applicable fiber	Silica optical fiber
Fiber count	Single
Cladding diameter	125µm
Coating diameter	400µm to 900µm
Coating material	Silicone + Nylon
Fiber setting	by FH-40 series and FH-100 series Fiber holder
Heater	Not equipped
Dimensions, Weight	30W x 90L x 30H (mm), 250g

## APPLICATION



Specifications and descriptions are subject to change without prior notice.

**Fujikura Ltd.**

1-5-1, Kiba, Koto-ku, Tokyo 135-8512, Japan

Phone : +81-3-5606-1164 Fax : +81-3-5606-1534 <http://www.fujikura.co.jp>

**Fujikura Asia Ltd.**

438A Alexandra Road, Block A Alexandra Technopark #08-03 Singapore 119967

Phone : +65-6-278-8955 Fax : +65-6-278-0965 <http://www.fujikura.com.sg>

**Fujikura Europe Ltd.**

C51 Barwell Business Park, Leatherhead Road, Chessington, Surrey KT9 2NY, UK

Phone : +44-20-8240-2000 Fax : +44-20-8240-2010 <http://www.fujikura.co.uk>

**AFL**

260, Parkway East, Duncan, SC29334, USA

Phone : +1-800-235-3423 Fax : +1-800-926-0007 <http://www.aflglobal.com>

**Fujikura (China) Co., Ltd.**

7<sup>th</sup> Floor, Shanghai Hang Seng Bank Tower, 1000 Lujiacui Ring Road, Pudong New Area, Shanghai 200120, CHINA

Phone : +86-21-6841-3636 Fax : +86-21-6841-2070 <http://www.fujikura.com.cn>